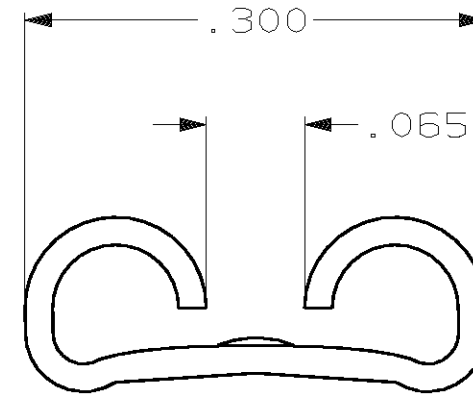
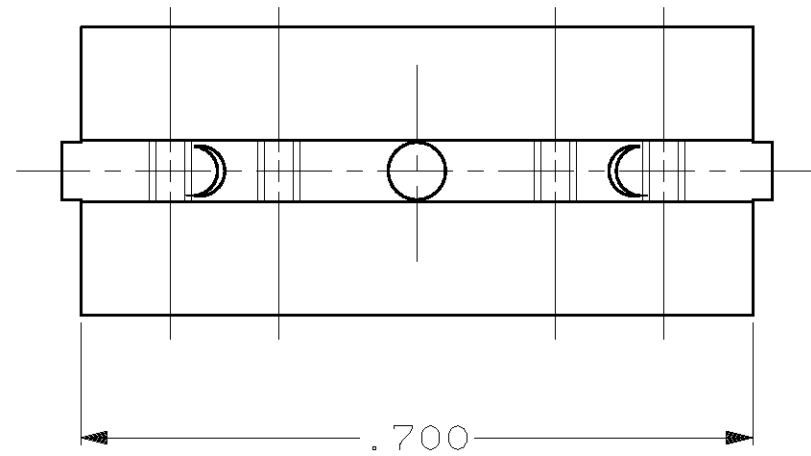


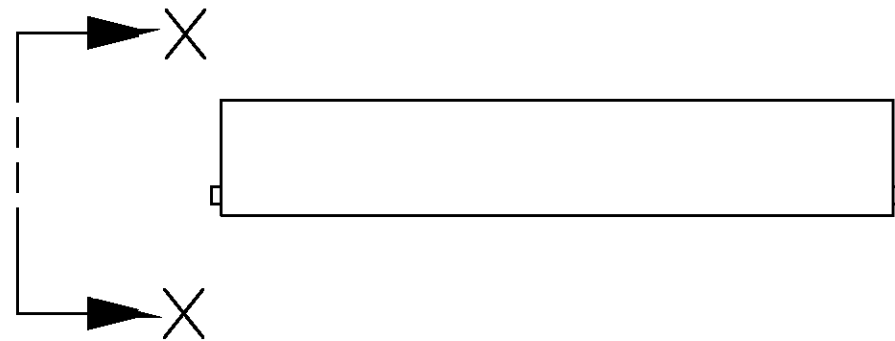
THIS DRAWING IS UNPUBLISHED. RELEASED FOR PUBLICATION, 19 .
© COPYRIGHT 19 BY AMP INCORPORATED. ALL INTERNATIONAL RIGHTS RESERVED.

LOC	DIST	P	F	ZONE	LTR	DESCRIPTION	DATE	APPD
AF	50				J	REV PER 0G3A-0474-02	09AUG02	JR/PD

- 1 SUPPLIED IN LOOSE PIECE.
- 2 MATING TAB THK IS .032±.001



VIEW X-X
SCALE 8:1



61810-2
PART NO

DO NOT SCALE PRINT. UNLESS SPECIFIED DIMENSIONS ARE IN INCHES TOLERANCES ON: 2 PLC DEC ± - 3 PLC DEC ± .005 ANGLES ± -	DR 7/16/92 JR RUTH	AMP AMP Incorporated Harrisburg, PA 17105-3608
	CHK 7/16/92 MS FEHER	
	APPD 7/16/92 C MEYERS	
	APPD 7/16/92 D REINER	
MATERIAL BRASS	PRODUCT SPEC -	NAME RECEPTACLE, FASTON, .250 SERIES
FINISH TIN	APPLICATION SPEC -	SIZE B
	WEIGHT -	CAGE CODE 00779
		DRAWING NO C-61810
		SCALE 5:1
		SHEET 1 OF 1

THIS DRAWING IS A CONTROLLED DOCUMENT FOR AMP INCORPORATED. IT IS SUBJECT TO CHANGE AND THE CONTROLLING ENGINEERING ORGANIZATION SHOULD BE CONTACTED FOR THE LATEST REVISION.